

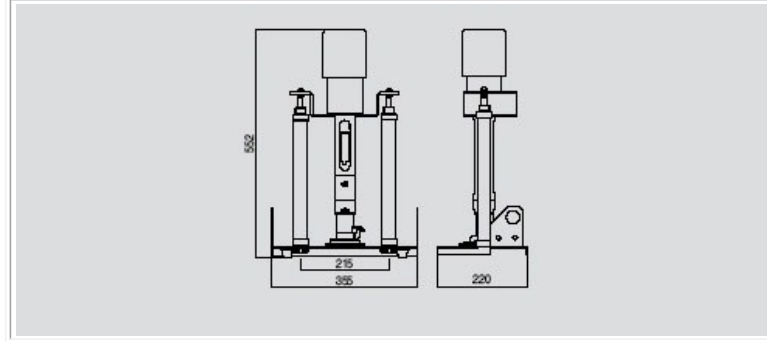


> [Home](#) > [Products](#) > Pressure Pumps

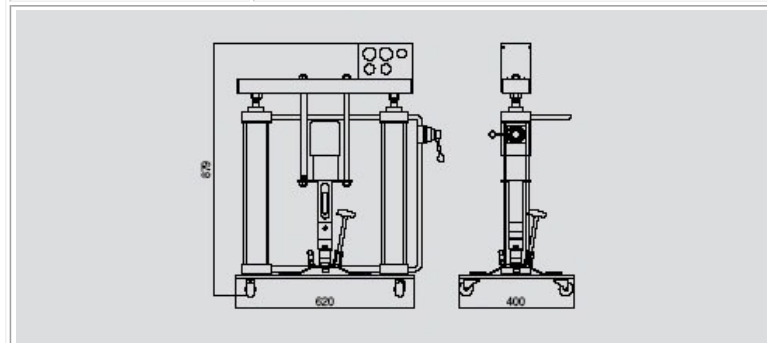
Pressure Pumps



Description	Transfer Can Pump		
Model	240117	240116	240115
Sending Pump Ratio	10:1		
Vol. per stroke (cc)	8		
Applying Viscosity	10,000 ~ 600,000cps		
Max. Air Consumption	1 ~ 7 bar		
Applied Container	1kg	3kg	5kg
Power	AC220V 50/60 Hz		
Weight	9.5kg		

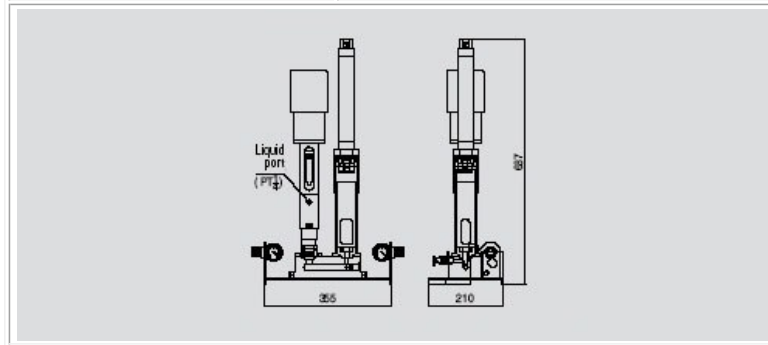


Description	Transfer Can Pump		
Model	240104	240114	240113
Pump Sending Ratio	10:1	48:1	60:1
Vol. per stroke (cc)	8		
Applying Viscosity	10,000 ~ 600,000cps		
Max. Air Consumption	80ml/min		
Weight	30kg		
Air Pressure	1 ~ 7 bar		
Power	AC220V 50/60 Hz		

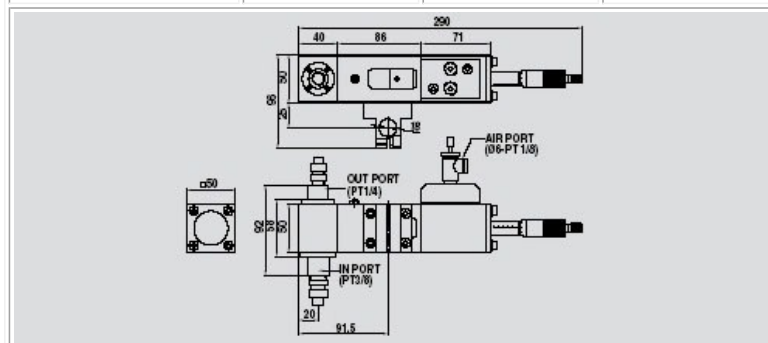




Description	Transfer Pump
Model	240100
Air Pressure	Higher than 2kgf/cm ²
Max. Air Consumption	80ml / min
Sending Ratio	10:1
Max. Dispensing Pressure	50kgf/cm ²
Min. Dispensing Volume	0.005 cc/shot
Applied Viscosity	10,000 ~ 1,000,000cps
Applied Container	300ml, 310ml, 330ml cartridge
Power	AC220V 50/60 Hz



Description	Precision Metering Pump		
Model	240111	240110	240109
Plunger Diameter	22.5mm	55mm	80mm
Max. Stroke	25mm	25mm	50mm
Volume	~ 10ml	~ 60ml	~ 250ml
Cycle Speed / min	100	80	70
Air Usage (litre/min)	87.8	140	310
Dimensions	284 X 50 X 142	317.4 X 75 X 157	492 X 110 X 189



SINGAPORE
 33 Ubi Ave 3, #04-23 VERTEX
 Singapore 408868
 Tel 65 6270 2188
 Fax 65 6270 9188

MALAYSIA
 T1866 Tingkat Perusahaan 6
 Prai Free Industrial Zone, 13600 Prai
 Penang, Malaysia
 Tel 604 390 5882
 Fax 604 390 0082

THAILAND
 8 Soi Lasalle 77, Kwaeng Bangna, Khet Bangna
 Bangkok 10260, Thailand
 Tel 66 2361 2926, 66 2361 2927
 Fax 66 2361 2928

HONG KONG
 33 Ubi Ave 3, #04-23 VERTEX
 Singapore 408868
 Tel 852 8199 0955
 Fax 65 6270 9188